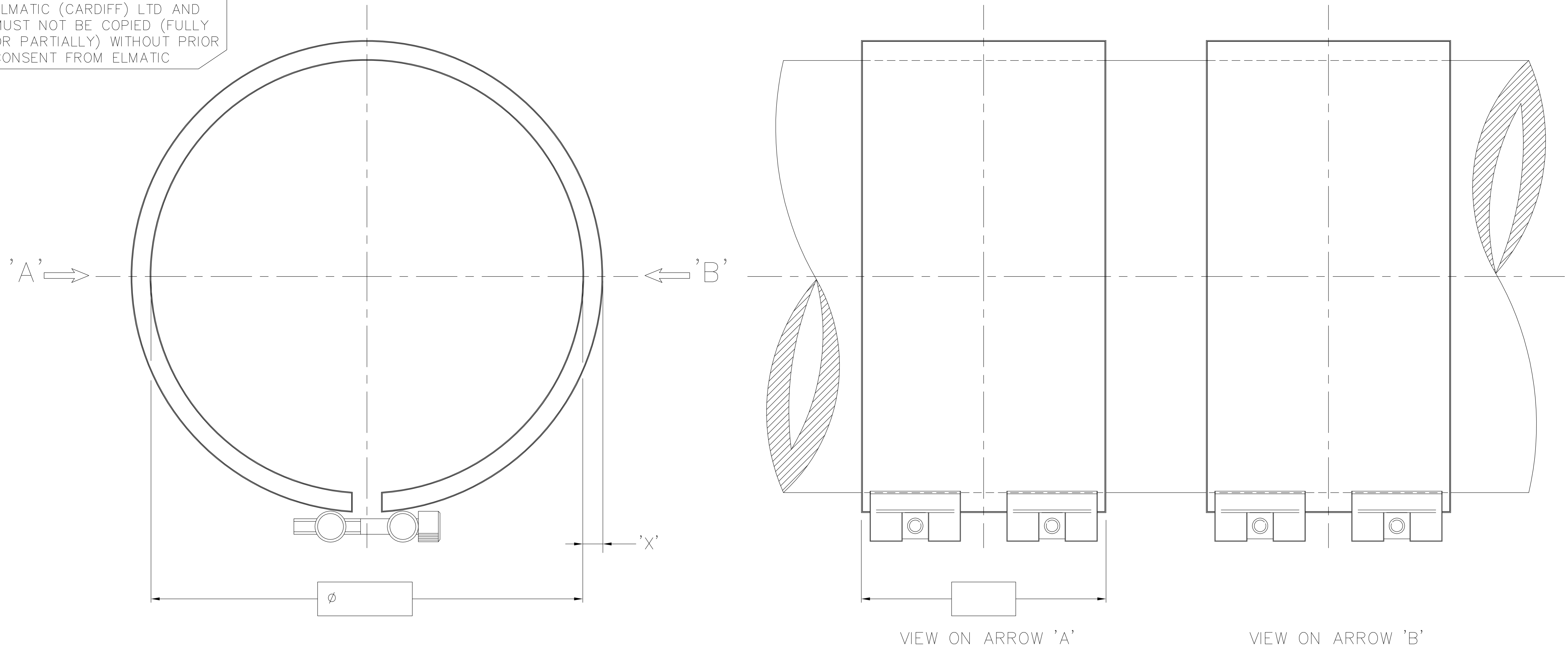


THIS DRG IS THE PROPERTY OF
ELMATIC (CARDIFF) LTD AND
MUST NOT BE COPIED (FULLY
OR PARTIALLY) WITHOUT PRIOR
CONSENT FROM ELMATIC



- MICA BAND HEATER (SUITABLE UP TO 300°C
(‘X’ = 4.7mm APPROX. FOR REF.).
- CERAMIC KNUCKLE HEATER (SUITABLE FOR 450°C)
(‘X’ = 12mm APPROX. FOR REF.).
- CERAMIC KNUCKLE HEATER WITH STAINLESS STEEL
METALWORK (SUITABLE UP TO 650°C
(‘X’ = 12mm APPROX. FOR REF.).

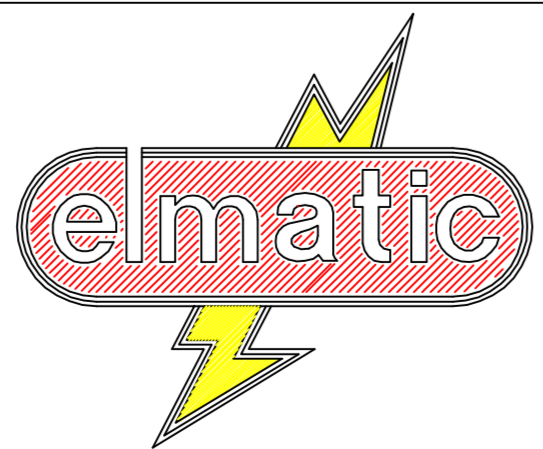
INFORMATION REQUIRED

- INSIDE DIAMETER
- WIDTH
- ANY HOLE POSITIONS & DIAMETER OF THEM
(MARK ON VIEWS ABOVE)
- POSITION & TYPE OF TERMINATION REQUIRED
(SEE SEPARATE SHEET FOR PHOTOGRAPHS
OF VARIOUS TERMINATIONS THAT WE OFFER)
(MARK ON VIEWS ABOVE)
- WATTS _____ (TOTAL)
- VOLTS _____ SINGLE PHASE
- 3-PHASE

SALES OFFICE:

ADD THE ‘STD TERMINATION’ PHOTO-SHEET WHEN SENDING THIS DRAWING

ADDITIONAL INFORMATION:

CUSTOMER:		
DRG NO:	SCALE --	
DRAWN: P.DONOVAN	DATE:	
ELMATIC DRG/PART NO: (TO FOLLOW, IF ORDERED)		

OUR WEBSITE: www.elmatic.co.uk